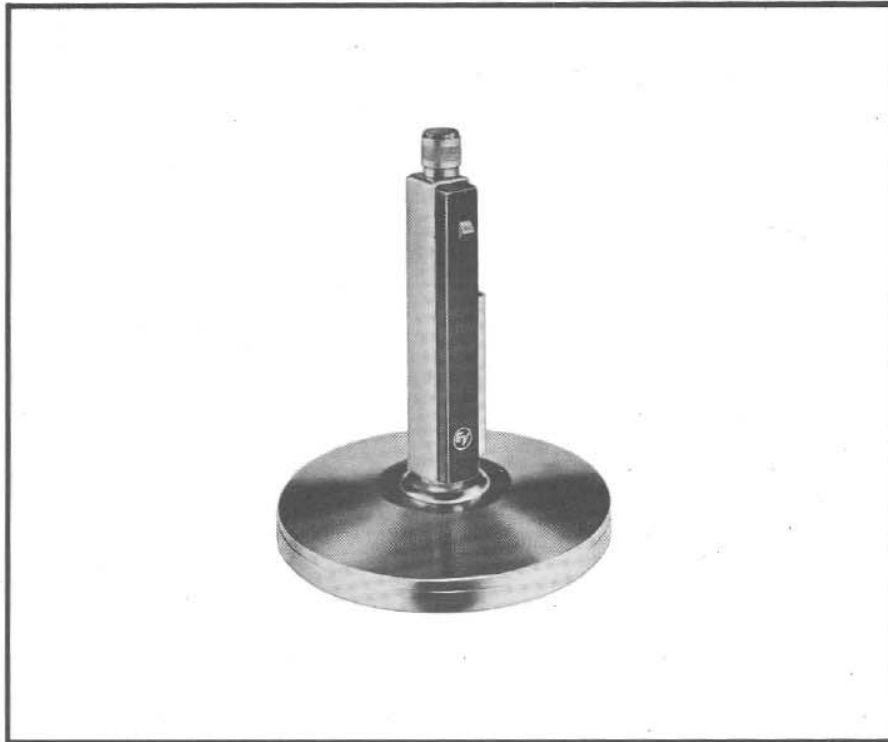


Electro-Voice®

a MARK IV company

Model 428 Touch-To-Talk Microphone Stand



SPECIFICATIONS

Material:

Die-cast zinc and plastic

Finish:

Non-reflecting gray

Dimensions:

177.8 mm (7.00 in.) high

130.2 mm (5.13 in.) base diameter

Weight:

.8 kg (1.75 lbs)

DESCRIPTION

The Electro-Voice Model 428 microphone stand fits any standard microphone mount having 5/8" -27 threads. The switch, a double-pole, double-throw blade type, is actuated by a lever. A locking button permits steady operation over long time intervals without steady

thumb pressure. Switch terminals are made accessible for soldering by removing the protective aluminum shield. The stand is finished in non-reflecting gray, and the lever, of durable high-impact plastic, is also gray.

WIRING

The switching of the Model 428 provides for control of the microphone circuit itself, as well as for external relay-operated equipment. A typical arrangement is shown in Figure 2.

The microphone is normally shorted when wired as shown in Figure 2. When the switch is depressed, contacts are opened to permit operation of the microphone. When multiple micro-

phones are used with the same amplifier input, the shorting connections on one microphone will short the others, as well. The switch should, therefore, be wired so that the contacts complete the microphone circuit instead of breaking the ground connection.

The other contacts actuate external relay equipment when the switch is depressed. Both make and break contacts are available. If the switch is used to break into an inductive circuit carrying substantial power, care should be taken to bypass the circuit at its source to prevent arcing.

Specifications subject to change without notice.

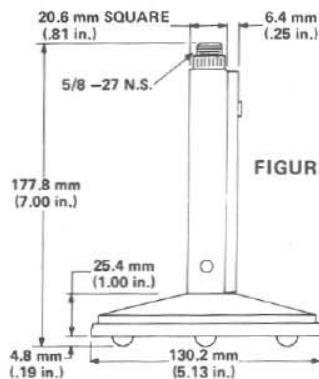


FIGURE 1 - Dimensions

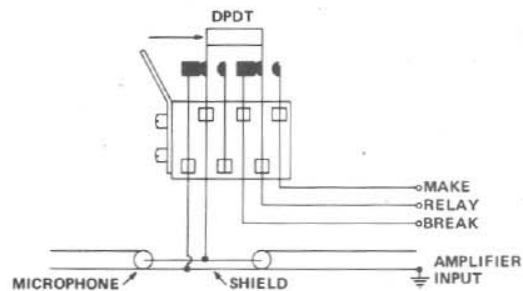


FIGURE 2 - Wiring Diagram



ELECTRO-VOICE, INC., 600 Cecil Street, Buchanan, Michigan 49107

MANUFACTURING PLANTS AT ■ BUCHANAN, MI ■ NEWPORT, TN ■ SEVIERVILLE, TN ■ REDMOND, WA ■ GANANOQUE, ONT.
©Electro-Voice, Inc. 1987 ■ Litho In U.S.A. Part Number 530250-232

a MARK IV company